

FIG.1

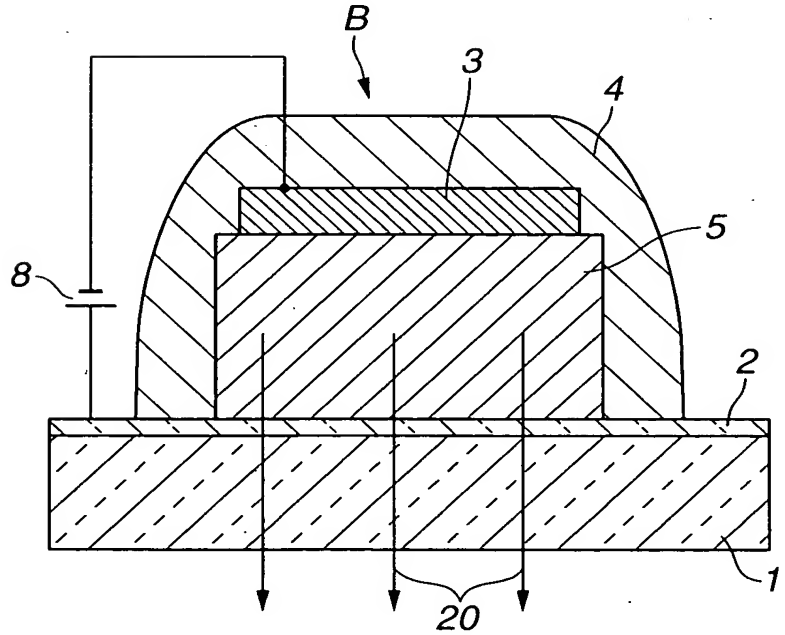


FIG.2

2025 RELEASE UNDER E.O. 14176

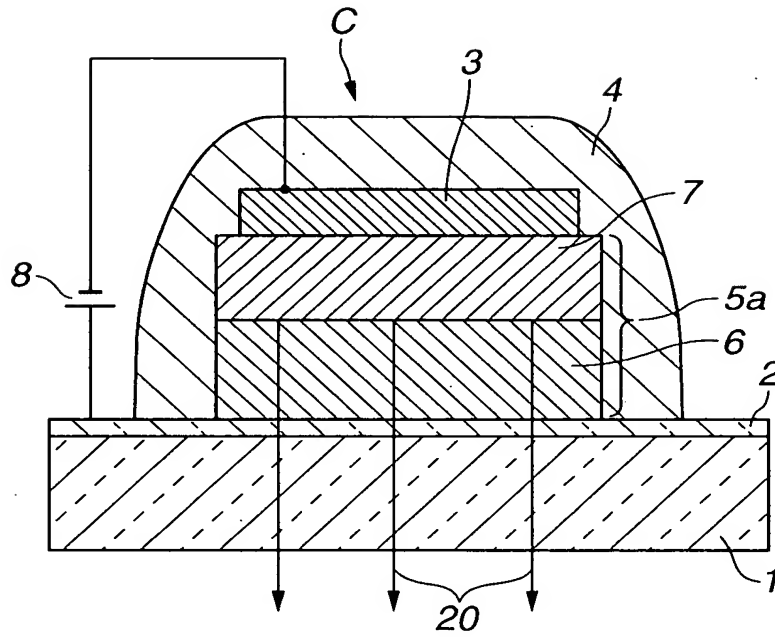


FIG. 3

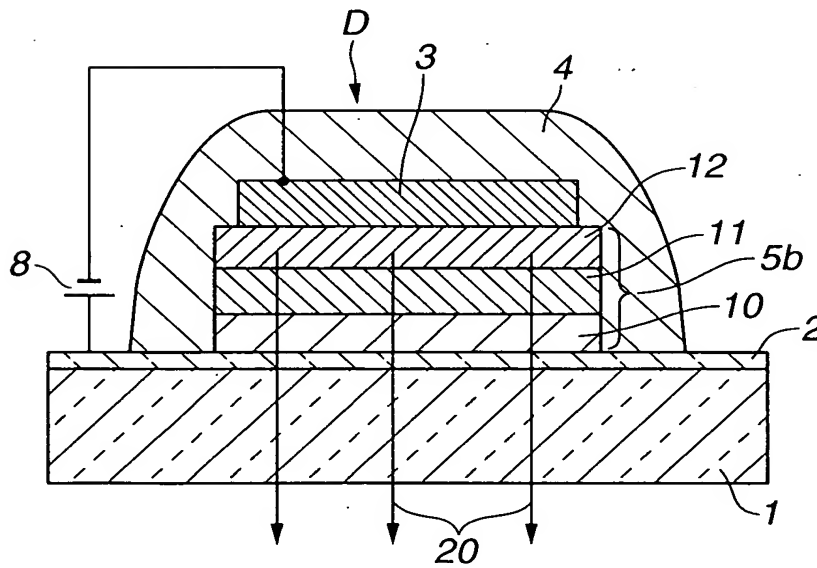
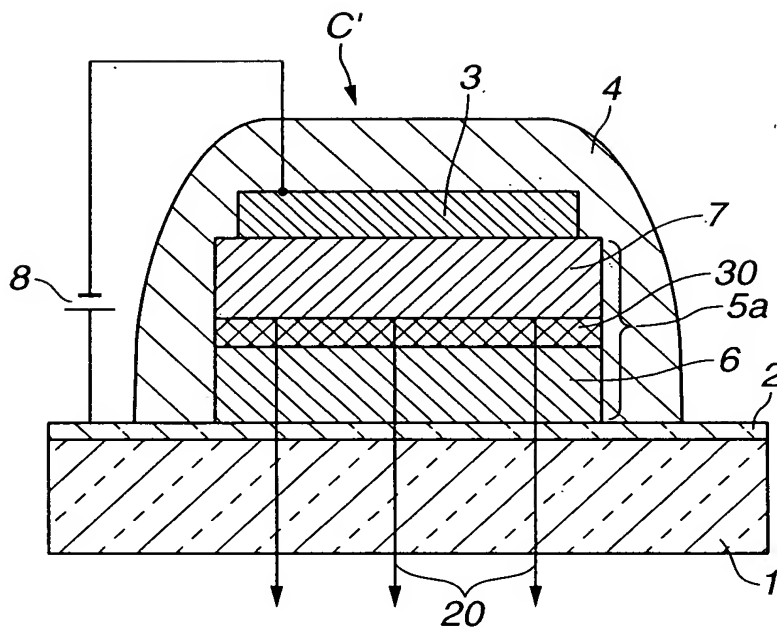
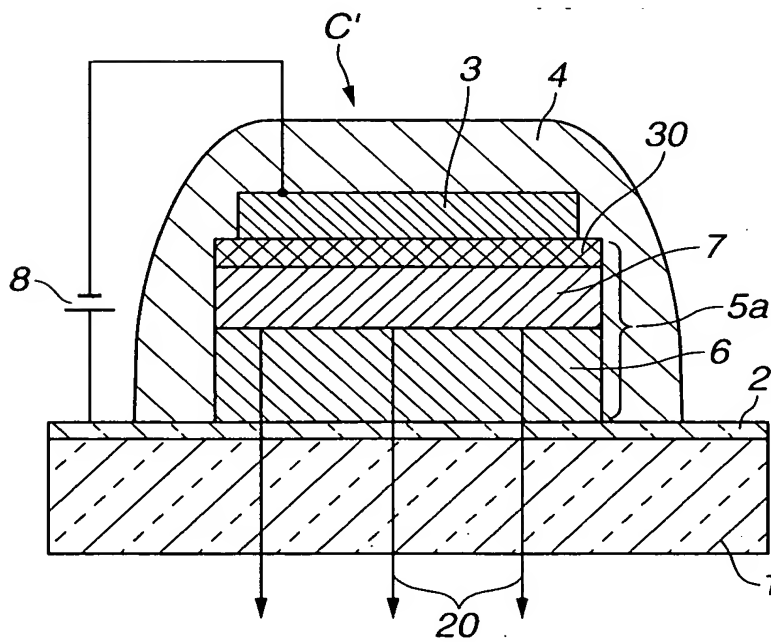


FIG. 4

2025 RELEASE UNDER E.O. 14176



4/5

**FIG. 7****FIG. 8**

5/5

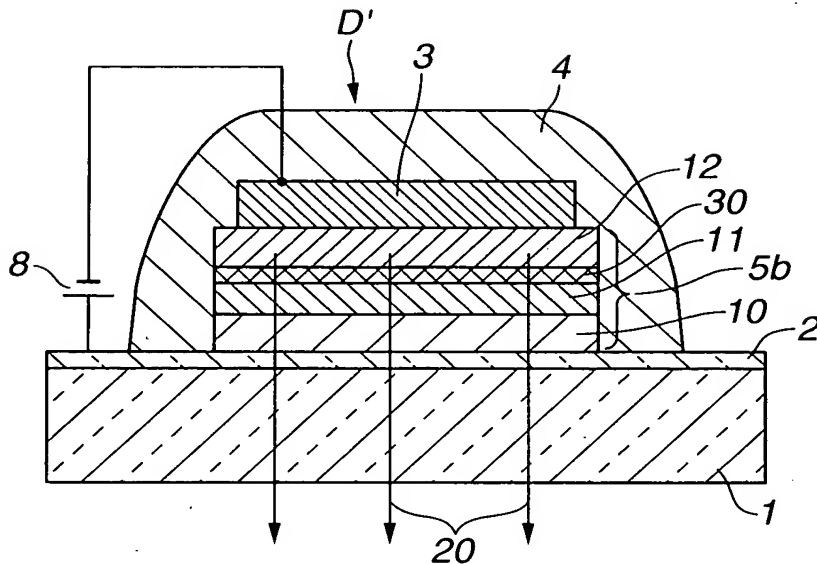


FIG.9

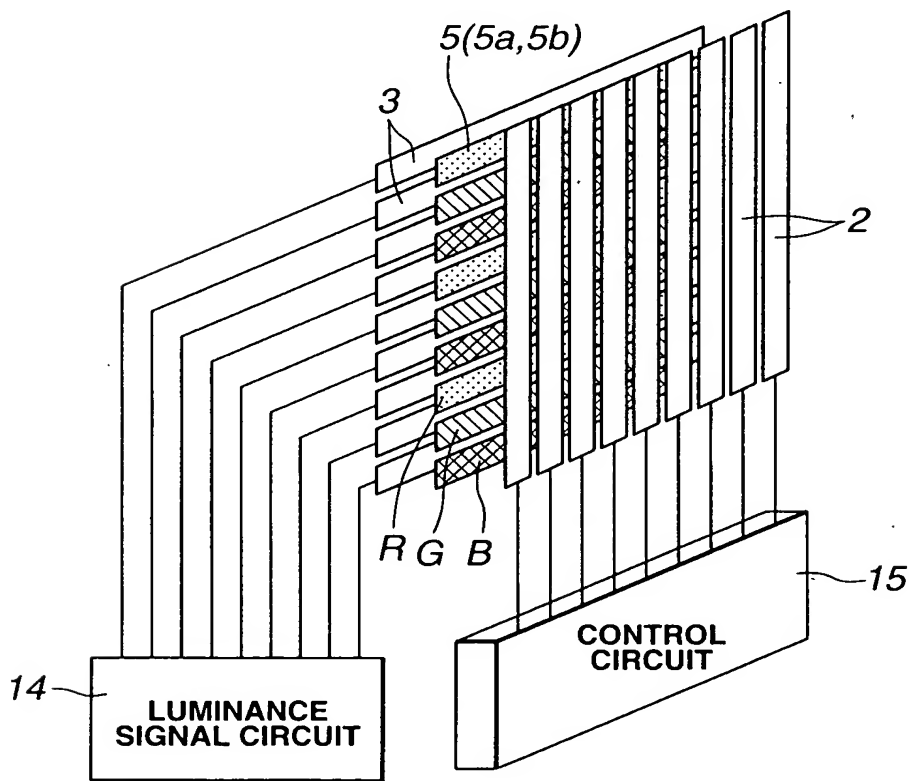


FIG.10

1009021.9(5) 2006.07